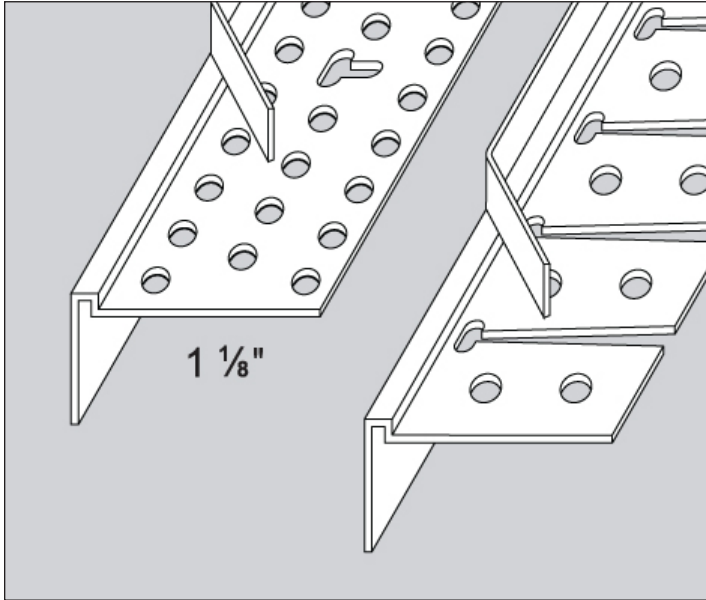


TRIM-TEX DRYWALL PRODUCTS

SUBMITTAL SHEET



Tear Away L Bead & Archway

STOCK #	NAME	PCS/BOX
9002	1/4" TEAR AWAY 10'	50
9004	3/8" TEAR AWAY 10'	50
9008	1/2" TEAR AWAY 8'	50
9010	1/2" TEAR AWAY 10'	50
9012	1/2" TEAR AWAY 12'	50
9108	5/8" TEAR AWAY 8'	50
9110	5/8" TEAR AWAY 10'	50
9310	1 1/4" TEAR AWAY 10'	25
9050	1/2" ARCHWAY 10'	20
9150	5/8" ARCHWAY 10'	20

Description: Trim-Tex Tear Away L Bead & Archway is designed to finish exposed edges of drywall.

Advantages: Made from rust proof, dent resistant PVC to reduce jobsite and handling damage. Does not contain cellulose, a potential food source for mold

Limitations: Product is designed for interior use.

Applicable Standards: Rigid PVC products made by Trim-Tex achieve a Class A rating for flame spread and smoke developed when tested under ASTM E84.

Surface Characteristics: Trim-Tex products are made from PVC. PVC does not support combustion and is self extinguishing when the source of flame or heat is removed.

Installation: Trim-Tex recommends following established acceptable industry standard installation methods. Detailed installation instructions can be found at www.trim-tex.com.

Finishing: Always use a high quality paint.

Accessories: 847 Spray Adhesive and Safety Products distributed by Trim-Tex.

Job Name _____

Contractor _____

Date _____

Approvals (Signatures or Stamps)