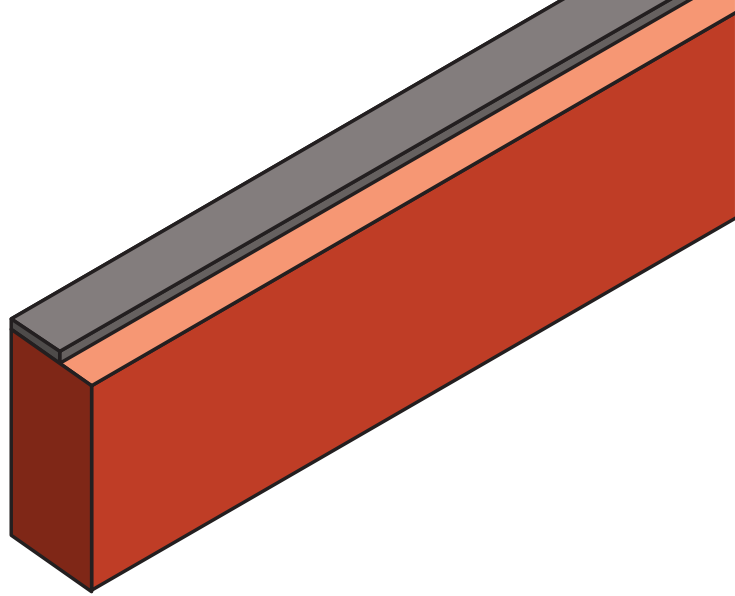
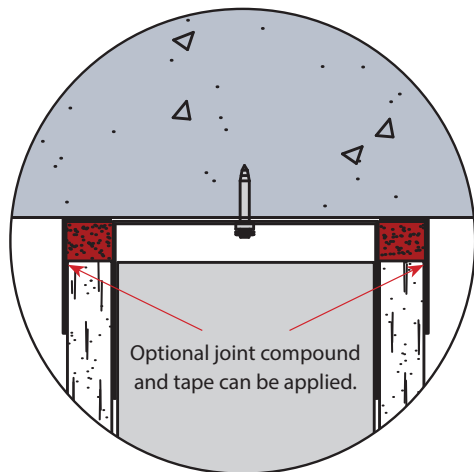
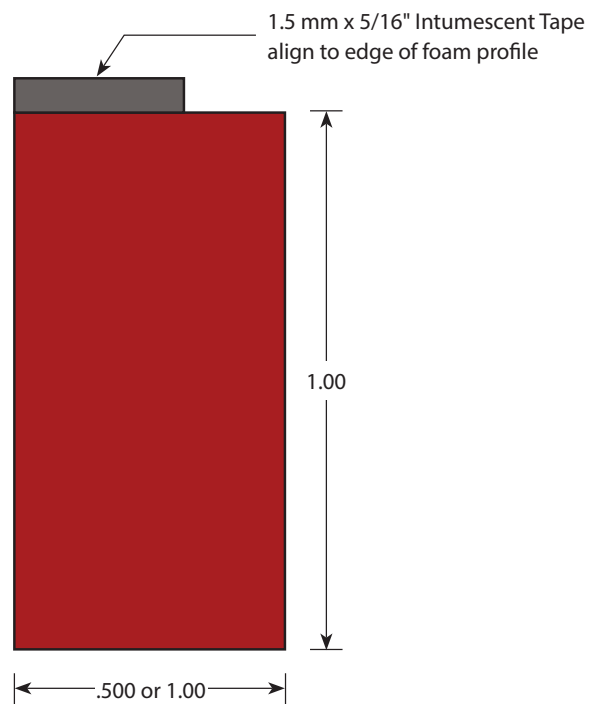


STOCK#	LENGTH	PCS/BOX
9284	1/2" x 1"	20
9285	1" x 1"	10



HOTROD TYPE-X

Trim-Tex® **HOTROD TYPE-X** is a compressible intumescent firestopping that provides 1 and 2 hour fire-ratings for both dynamic and static joints according to UL-2079 5th edition on both concrete and fluted decks without spray over mineral wool (for both standard walls and shaft walls) and is sound tested according to ASTM E90, tested up to a STC 68. **HOTROD TYPE-X** has a rectangular profile and is easily compressed into the deflection gap between the edge of the drywall and adjoining structure. It is red in color and is easily identified by the inspector. **HOTROD TYPE-X** is non-wicking as it does not wick water, and is non-hygroscopic. It will not absorb water readily under field conditions and it takes the place of BOTH fire and sound sealant and will not shrink, pull away, or harden over time. **HOTROD TYPE-X** can be installed by itself or can be covered with tape and joint compound for exposed walls. It provides an L-rating Less Than 1 CFM/Lin Ft for ambient and 400 degrees F.



Installation Instructions

Option 1. Pre-install Hotrod Type-X before installing the drywall. Remove the release paper of the pressure-sensitive tape on the inside leg and install directly to the top of the track.

Option 2. Install the drywall until it compresses the Hotrod Type-X. If a 1/2" gap is left between the ceiling and drywall, HOTROD Type-X can be left exposed. If a 3/4" gap is left, install a secondary product like a Trim-Tex Flat Deflection Bead to cover the HOTORD Type-X.