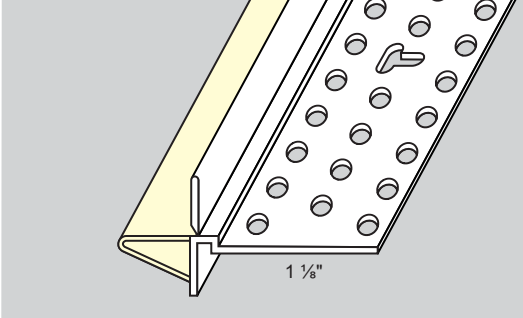


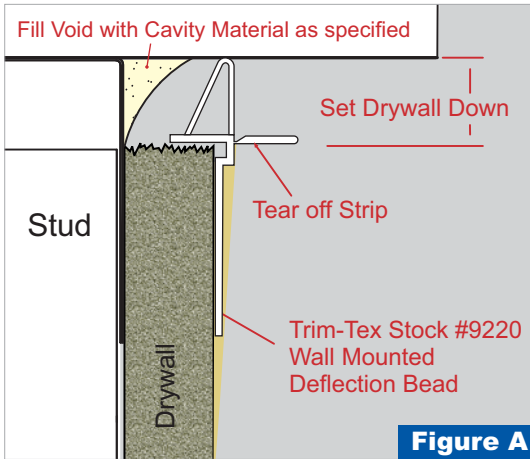
# TRIM-TEX

## Wall Mounted Deflection Bead Installation Instructions



STOCK#	LENGTH	PCS/BOX
9220	10'	48

### Installation



**Step 1.** Hang your drywall no more than 1/2" from the ceiling.

**Step 2.** Fill the void shown in **Figure A** with fire caulk or cavity materials specified by the architect.

**Step 3.** Snip your bead to length and dry fit to the wall creating a seal between the flexible gasket and the ceiling. The Deflection bead is designed to withstand up to 7/16" of deflection.

**Method 1.** Install the bead with 847 Spray Adhesive and staple the mud leg with 1/2" staples every 6-8". Apply mud compound and prior to the final sanding remove the tear off strip for a clean and crisp finish.

**Method 2.** Install your bead with a compound tube or blade/trowel. Place your bead into place. Once in position, use the handle of your taping knife to pressure the mud legs to the drywall allowing the excess mud to escape. No need to wipe down the bead if you are applying the fill coat that same day.

### How to Miter an Inside Corner



For an inside 90° miter, snip a "V" notch into the tear off strip.



Next, flip the bead over and snip the mud leg all the way through the mud bump and into the back of the gasket.



Make sure the front of the gasket is not snipped and bend the bead to ensure it forms a nice clean inside corner.

### How to Miter an Outside Corner



For an outside 90° miter, snip the mud leg all the way through the mud bump and the tear off strip. Do not snip the gasket.



Next, flip the bead over and notch out the "V" slightly going into the gasket.



Bend your bead to see if the front of the gasket forms a clean outside corner.

Stay Connected

**TRIM-TEX**  
DRYWALL PRODUCTS



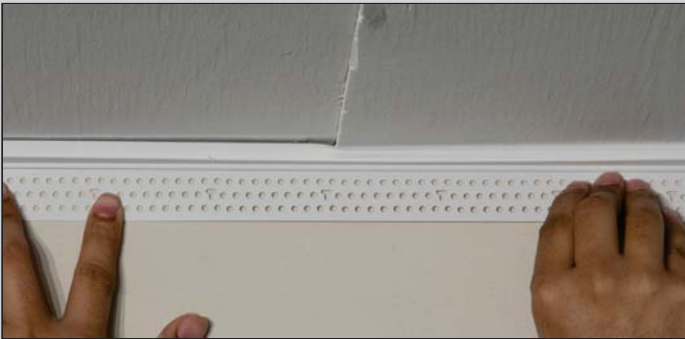
[www.trim-tex.com](http://www.trim-tex.com) • 1-800-874-2333

# Installing Deflection Bead with Uneven Ceilings



## WRONG

Uneven ceilings may cause gaps between the Deflection Bead Gasket and Ceiling. In the example shown to the left, Deflection Bead was not pushed tightly against the ceiling resulting in an unsightly gap. The gap can be caulked but following the steps below will eliminate this unnecessary step.



## CORRECT

For a slightly uneven ceiling (1/8"), press the Deflection Bead up so there is no gap at the ceiling. Spray and staple the bead into place as shown in **Method 1** on the first page.



## CORRECT

For a large step as shown, the preferred method would be to cut the Deflection Bead into 2 pieces and install them separately. Snip the bead to the desired length and install both pieces up against the ceiling so there is no gap. Spray and staple the bead into place as shown in **Method 1** on the first page. This will allow both pieces of Deflection Bead to fully expand and collapse.



**Painting:** Deflection Beads is designed to be an expansion product to prevent expensive call backs to fix cracks in the drywall & ceiling. The flexible gasket is designed to expand or contract as much as 7/16". Since paint is not very flexible, please follow the guidelines to ensure satisfactory results. Always use high quality paints as they bond better and have more flexibility than more inexpensive brands. Do not prime the flexible gasket of the deflection bead. If applying primer by spray, try not to spray too much paint onto the flexible gasket. The heavier the paint is applied, the worse the performance will be. Brush in a thin coat of the final paint color.

**Texturing:** Textures are not designed to be pliable and will crack if applied to the flexible gasket of the Deflection Bead, therefore textures should not be used on the flexible gasket of the Deflection Bead.