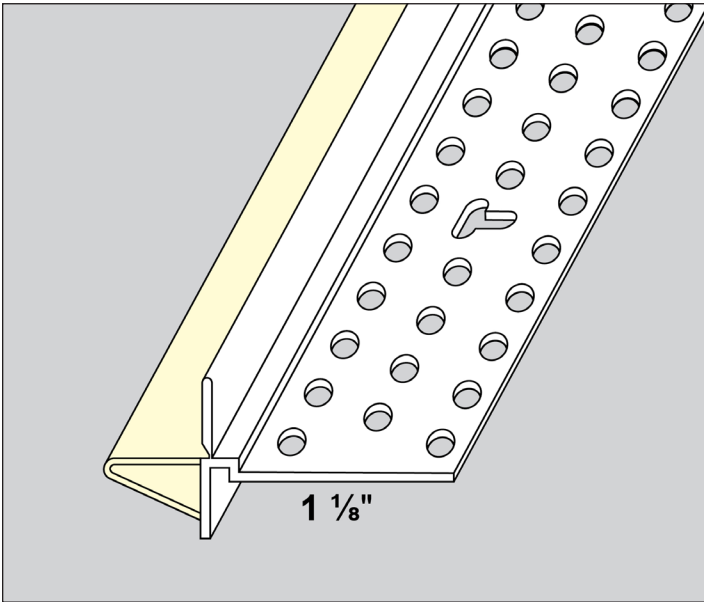


TRIM-TEX DRYWALL PRODUCTS

SUBMITTAL SHEET

Wall Mounted Deflection Bead

STOCK #	NAME	PCS/BOX
9220	DEFLECTION BEAD 10'	21



Description: Trim-Tex Wall Mounted Deflection Bead is designed to prevent inside corner cracking when installed against a ceiling or concrete deck that may be subject to up to 7/16" movement.

Advantages: Made from rust proof, dent resistant PVC to reduce jobsite and handling damage. Does not contain cellulose, a potential food source for mold

Limitations: Product is designed for interior use.

Applicable Standards: Rigid PVC products made by Trim-Tex meet ASTM specifications D3678, D1784, C1047 and achieve a Class A rating for flame spread and smoke developed when tested under ASTM E84. Can be used in fire-rated and non fire-rated assemblies. UL Classified when installed with CEMCO® FAS® Track 1000. Deflection Bead is UL classified for fire rated joint-systems, see UL fire resistance directory R38710. STC 53 rating with two layers of 5/8" type gypsum on both sides of wall. STC 50 rating with two layers of 5/8" type gypsum on one side of wall and one layer 5/8" type gypsum on other.

Surface Characteristics: Trim-Tex products are made from PVC. PVC does not support combustion and is self extinguishing when the source of flame or heat is removed.

Installation: Trim-Tex recommends following established acceptable industry standard installation methods. Detailed installation instructions can be found at www.trim-tex.com.

Finishing: Always use a high quality paint.

Accessories: 847 Spray Adhesive and Safety Products distributed by Trim-Tex.

Job Name _____

Contractor _____

Date _____

Approvals (Signatures or Stamps)