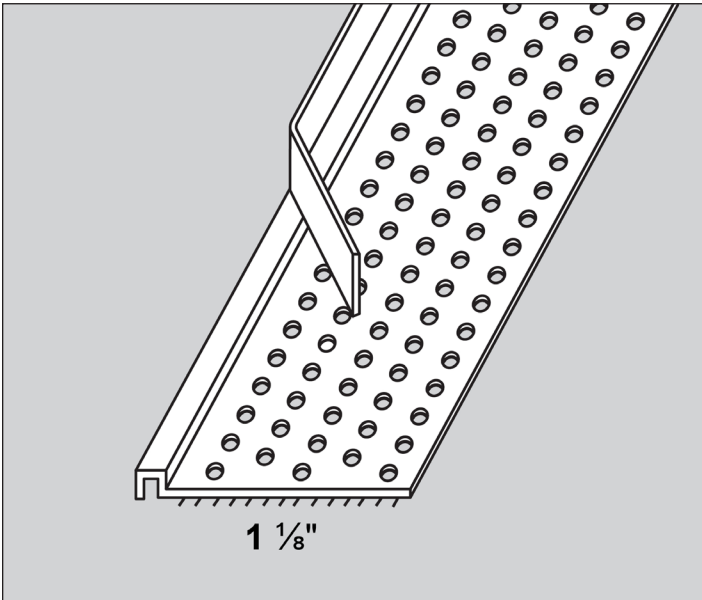


TRIM-TEX DRYWALL PRODUCTS

SUBMITTAL SHEET

Mud Set Flat Tear Away

STOCK #	NAME	PCS/BOX
MS9000XT	MS FLAT TEAR AWAY 10'	40



Description: Trim-Tex Mud Set Flat Tear Away is designed to finish around windows and doors, or anywhere drywall terminates into other substrates.

Advantages: Made from rust proof, dent resistant PVC to reduce jobsite and handling damage. Does not contain cellulose, a potential food source for mold

Limitations: Product is designed for interior use.

Applicable Standards: Rigid PVC products made by Trim-Tex achieve a Class A rating for flame spread and smoke developed when tested under ASTM E84.

Surface Characteristics: Trim-Tex products are made from PVC. PVC does not support combustion and is self extinguishing when the source of flame or heat is removed.

Installation: Trim-Tex recommends following established acceptable industry standard installation methods. Detailed installation instructions can be found at www.trim-tex.com.

Finishing: Always use a high quality paint.

Accessories: Safety Products distributed by Trim-Tex.

Job Name _____

Contractor _____

Date _____

Approvals (Signatures or Stamps)