

# TRIM-TEX

## Tear Away L Bead Installation Instructions

### Product Overview

Trim-Tex Tear Away L Bead is used to finish the rough edge of the drywall and drywall layering details. Comes with a full 5/16" tear-off leg that acts as a guide for the taping knife as well as a protective masking for taping and mudding. Tear Away Archway L Bead can finish a 12" inside or 12" outside radius. Available in money saving bulk quantities.

Be sure to check the Trim-Tex catalog and [www.trim-tex.com](http://www.trim-tex.com) for all our innovative products.

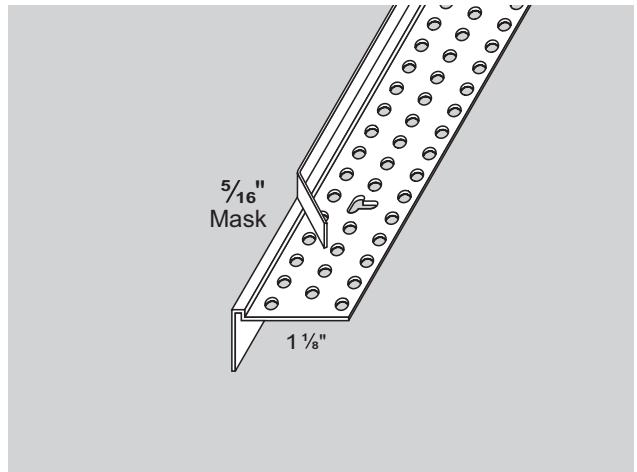
### Installation Instructions

**Method 1:** To install the bead, cut the bead to length. Spray the bead with Trim-Tex 847 Spray Adhesive. Immediately apply to the drywall. Once in position, press the legs into place using a Trim-Tex installation tool or the handle of your taping knife (archway pieces must be stapled on).

**Method 2:** Cut the bead to length. Once in position, staple the mud leg into place every 6"-8" with 1/2" staples.

Preferred: Combination of 847 Spray adhesive and staples as detailed above.

**Finishing:** Once mudding is complete, remove tear-off leg for a clean, sharp look. Always use a high quality paint.



STOCK NUMBER	SIZE	LENGTH	PCS PER BOX
9002	1/4"	10'	50
9004	3/8"	10'	50
9008	1/2"	8'	50
9010	1/2"	10'	50
9010-BULK	1/2"	10'	100
9012	1/2"	12'	50
9108	5/8"	8'	50
9110	5/8"	10'	50
9110-BULK	5/8"	10'	100
9310	1 1/4"	10'	25



Stay Connected



[www.trim-tex.com](http://www.trim-tex.com) • 1-800-874-2333